

Journeyman Event – **DOUBLE CROSSARM CHANGE**

Event Time: 10 Minutes
Drop Dead Time: 15 Minutes

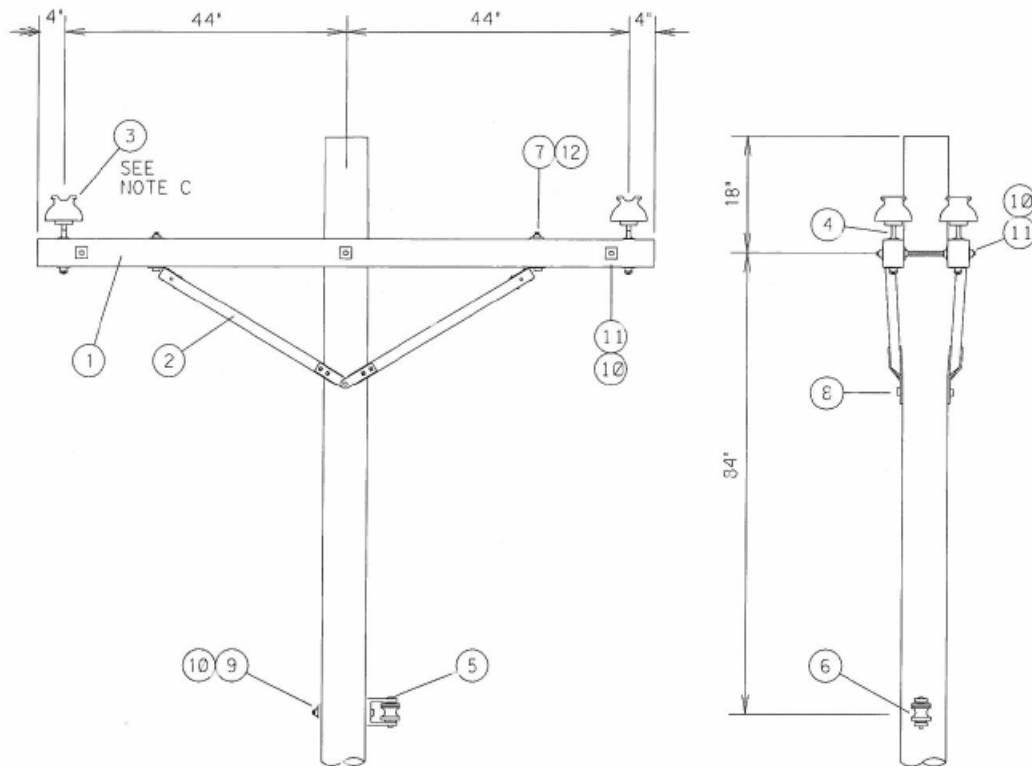
Team is required to replace two 8' crossarms on a V-phase primary construction tangent structure. New crossarms, braces, insulator pins, insulators, bolts and pre-forms will be provided. All materials must be replaced. This event will be simulated de-energized and equipotential grounded. The primary may be floated while the crossarm is being replaced.

1. Teams will be allowed 5 minutes of setup time. The team may direct questions to the judge at this time.
2. Time starts at the Judges' signal.
3. Workers must wear work gloves at all times.
4. Materials may be arranged but NOT assembled during the 5 minute set up period.
5. New pre-form ties and rubber saddles must be installed. Old pre-form ties and saddles cannot be dropped.
6. All tools, materials and equipment must be sent up and down using the handline.
7. Time stops when the last climber is on the ground.
8. Judging will continue until all material is packed up and the event site is restored to the original condition.
9. All general rules apply.



OVERHEAD DISTRIBUTION STANDARDS

DRAWING: AC-2V
PAGE: 1J-3
DATE: 7-7-03



NOTES:

- A. ENGINEER TO SPECIFY GUYING.
- B. GROUNDING DETAILS CAN BE FOUND IN THE GROUNDING SECTION OF THIS MANUAL.
- ▶ C. IN COASTAL AREAS USE INSULATOR #022-220125.

ITEM	QTY.	DESCRIPTION	ITEM ID NO.	ITEM	QTY.	DESCRIPTION	ITEM ID NO.
1	2	CROSSARM, 4" x 5" x 8'	562-203119	8	2	SCREW, LAG 1/2" x 4 1/2"	070-181866
2	4	BRACE, WOOD CA 60'	563-209104	9	1	BOLT, MCH. 5/8" x REQ'D	---
3	4	INSULATOR, PIN TYPE	022-220134	10	11	WASHER 2" SQ. 1/16" HOLE	070-181964
4	4	PIN, STEEL INS. 5/8" x 6 1/2"	072-165224	11	3	BOLT, D. A. 5/8" x REQ' D.	---
5	1	CLEVIS, SEC.	071-229174	12	4	WASHER, 2" SQ. 5/16" HOLE	070-181961
6	1	INSULATOR, SEC. SPOOL	023-225102				
7	4	BOLT, MCH. 1/2" x 7"	070-181436	GROUNDING MATERIAL - SEE GROUNDING SECTION			

